

# LAMPADA MEDIA

**CORPO:**  
Alluminio pressofuso

**COLORI DISPONIBILI:**

- 1 = Nero
- 3 = Nero/argento
- 4 = Nero/verde
- 6 = Nero/ramato
- 8 = Grafite

**DIFFUSORE:**

- .T = vetro trasparente
- .O = vetro sabbia opale

- 1L = 1 Luce
- 2L = 2 Luci
- 3L = 3 Luci



LED bulb  
lampadina a LED



**CLASSE EFFICENZA ENERGETICA**  
A+÷E

IP 43



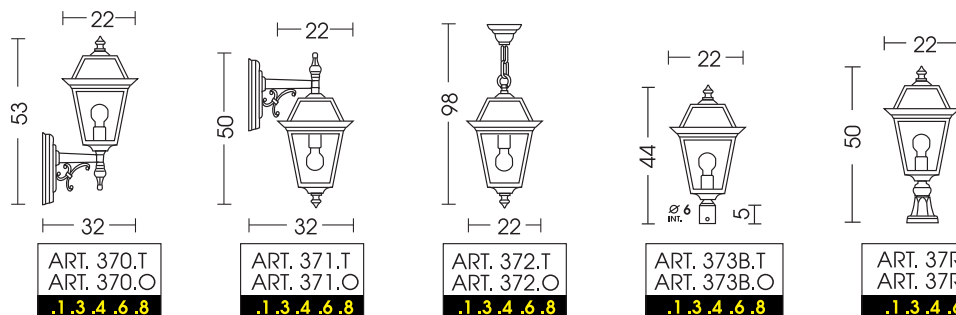
**F = BASE FUSIONE UNICA**

**E = BASE CON SPORTELLO ISPEZIONE**



F

E



ART. 370.T  
ART. 370.O  
.1.3.4.6.8

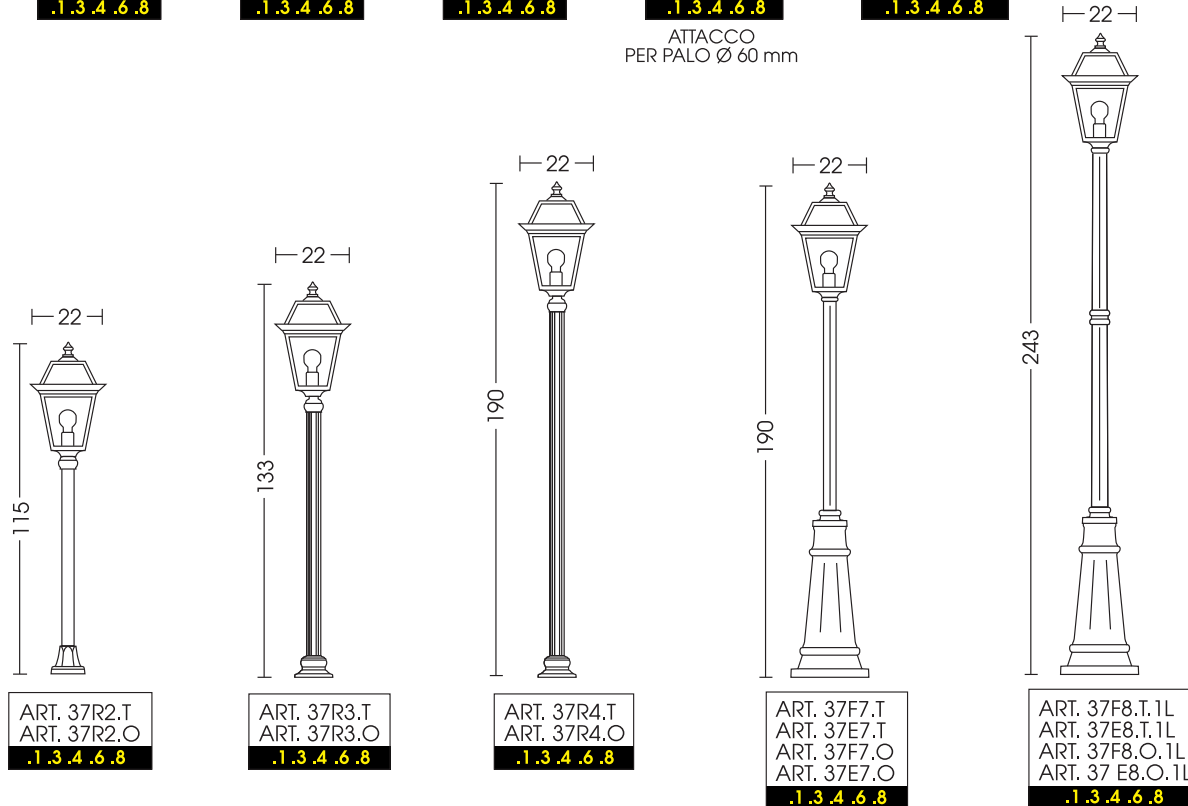
ART. 371.T  
ART. 371.O  
.1.3.4.6.8

ART. 372.T  
ART. 372.O  
.1.3.4.6.8

ART. 373B.T  
ART. 373B.O  
.1.3.4.6.8

ART. 37R1.T  
ART. 37R1.O  
.1.3.4.6.8

ATTACCO  
PER PALO Ø 60 mm



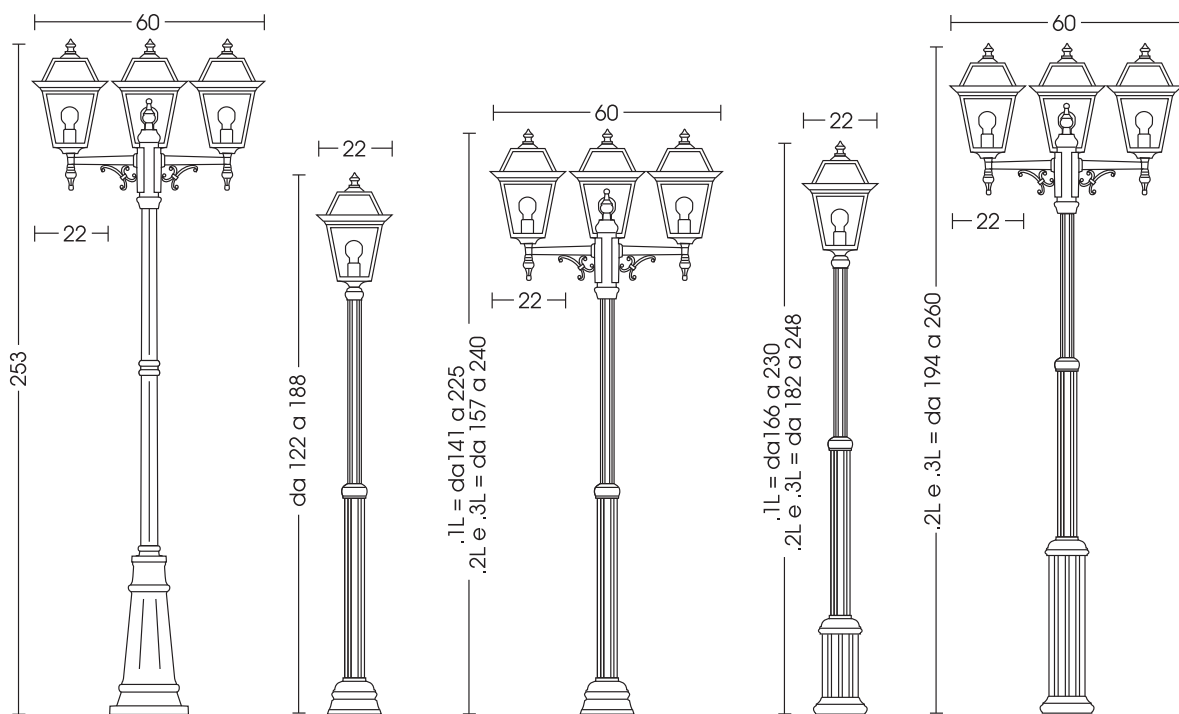
ART. 37R2.T  
ART. 37R2.O  
.1.3.4.6.8

ART. 37R3.T  
ART. 37R3.O  
.1.3.4.6.8

ART. 37R4.T  
ART. 37R4.O  
.1.3.4.6.8

ART. 37F7.T  
ART. 37E7.T  
ART. 37F7.O  
ART. 37E7.O  
.1.3.4.6.8

ART. 37F8.T.1L  
ART. 37E8.T.1L  
ART. 37F8.O.1L  
ART. 37E8.O.1L  
.1.3.4.6.8



ART. 37F8.T.2L  
ART. 37E8.T.2L  
ART. 37F8.T.3L  
ART. 37E8.T.3L  
ART. 37F8.O.2L  
ART. 37E8.O.2L  
ART. 37F8.O.3L  
ART. 37E8.O.3L  
.1.3.4.6.8

ART. 37R5.T  
ART. 37R5.O  
.1.3.4.6.8

ART. 37R6.T.1L  
ART. 37R6.T.2L  
ART. 37R6.T.3L  
ART. 37R6.O.1L  
ART. 37R6.O.2L  
ART. 37R6.O.3L  
.1.3.4.6.8

ART. 37R7.T.1L  
ART. 37R7.T.2L  
ART. 37R7.T.3L  
ART. 37R7.O.1L  
ART. 37R7.O.2L  
ART. 37R7.O.3L  
.1.3.4.6.8

ART. 37R8.T.2L  
ART. 37R8.T.3L  
ART. 37R8.O.2L  
ART. 37R8.O.3L  
.1.3.4.6.8





ART. 382.O.1



ART. 371.O.1



ART. 370.O.8



ART. 37F7.O.1



# LAMPADA GRANDE

**CORPO:**  
Alluminio pressofuso

**COLORI DISPONIBILI:**

- 1 = Nero
- 3 = Nero/argento
- 4 = Nero/verde
- 6 = Nero/ramato
- 8 = Grafite

**DIFFUSORE:**

- .T = vetro trasparente
- .O = vetro sabbciato opale

- 1L = 1 Luce
- 2L = 2 Luci
- 3L = 3 Luci

**E27**



LED bulb  
lampadina a LED



MAX WATT 52

**CLASSE EFFICENZA ENERGETICA**  
A+ ÷ E

IP 43



**F = BASE FUSIONE UNICA**

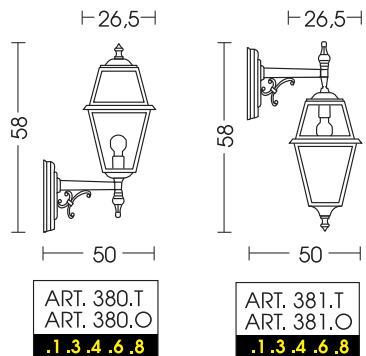
**E = BASE CON SPORTELLO ISPEZIONE**



F

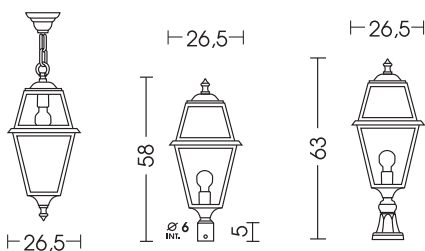


E



ART. 380.T  
ART. 380.O  
.1 .3 .4 .6 .8

ART. 381.T  
ART. 381.O  
.1 .3 .4 .6 .8

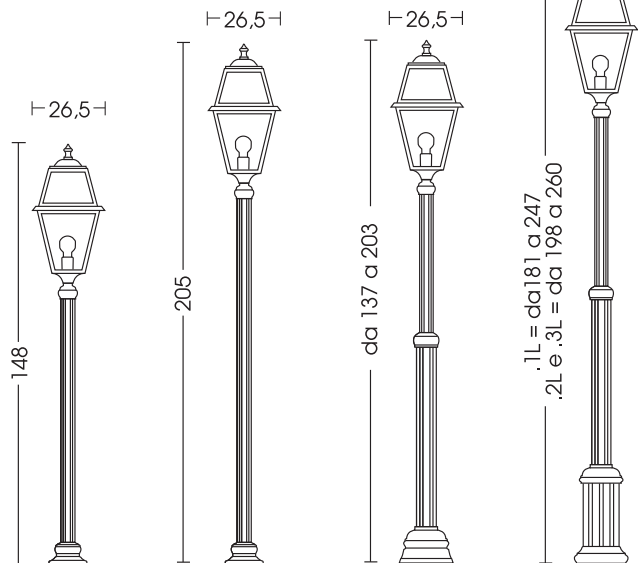


ART. 382.T  
ART. 382.O  
.1 .3 .4 .6 .8

ART. 383B.T  
ART. 383B.O  
.1 .3 .4 .6 .8

ART. 38R1.T  
ART. 38R1.O  
.1 .3 .4 .6 .8

ATTACCO  
PER PALO Ø 60 mm

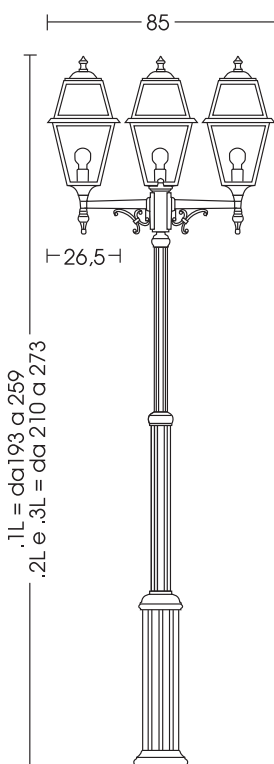


ART. 38R3.T  
ART. 38R3.O  
.1 .3 .4 .6 .8

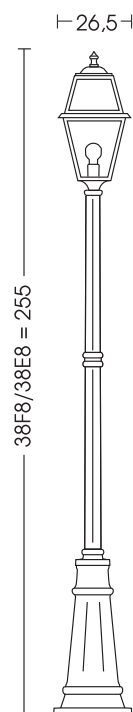
ART. 38R4.T  
ART. 38R4.O  
.1 .3 .4 .6 .8

ART. 38R5.T  
ART. 38R5.O  
.1 .3 .4 .6 .8

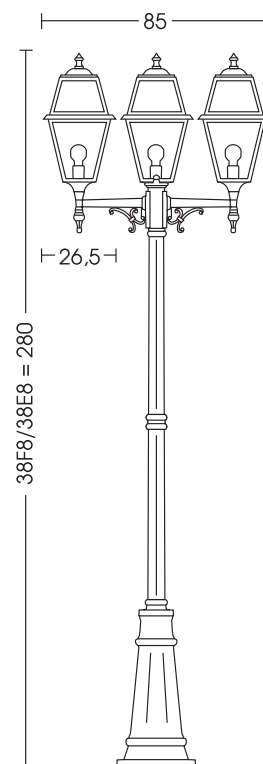
ART. 38R7.T.1L  
ART. 38R7.O.1L  
ART. 38R7.T.2L  
ART. 38R7.O.2L  
ART. 38R7.T.3L  
ART. 38R7.O.3L  
.1 .3 .4 .6 .8



ART. 38R8.T.1L  
ART. 38R8.O.1L  
ART. 38R8.T.2L  
ART. 38R8.O.2L  
ART. 38R8.T.3L  
ART. 38R8.O.3L  
.1 .3 .4 .6 .8



ART. 38F8.T.1L  
ART. 38F8.O.1L  
ART. 38E8.T.1L  
ART. 38E8.O.1L  
.1 .3 .4 .6 .8



ART. 38F8.T.2L  
ART. 38F8.O.2L  
ART. 38F8.T.3L  
ART. 38F8.O.3L  
ART. 38E8.T.2L  
ART. 38E8.O.2L  
ART. 38E8.T.3L  
ART. 38E8.O.3L  
.1 .3 .4 .6 .8

